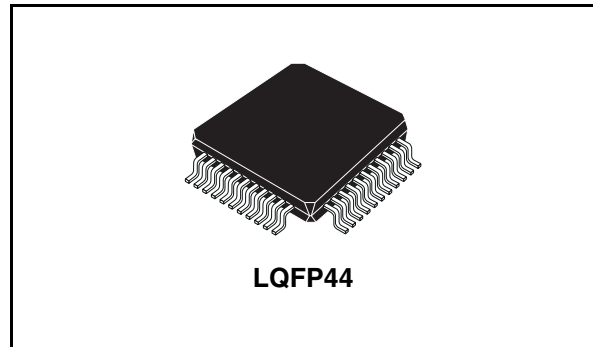


Advanced car signal processor**Features**

- Fully integrated signal processor optimized for car radio applications
- Fully programmable by i²c bus
- Includes audioprocessor, stereo decoder with noise blanker and multipath detector
- Softmute function
- Programmable roll-off compensation
- No external components

**Description**

The TDA7407 is the newcomer of the CSP family introduced by TDA7460/61. It uses the same innovative concepts and design technologies allowing fully software programmability through I²C bus and overall cost optimisation for the system designer.

The device includes a three band audioprocessor with configurable inputs, and absence of external components for filter settings, a last generation stereo decoder with multipath detector, and a sophisticated stereo blend and noise cancellation circuitry. Strength points of the CSP approach are flexibility and overall cost/room saving in the application, combined with high performances.

Order codes

Part number	Package	Packing
TDA7407	LQFP44	Tray
TDA7407TR	LQFP44	Tape and reel

Contents

- 1 Block diagram and pin connections 7**
- 1.1 ESD 9

- 2 Audio processor part 10**
- 2.1 List of features 10
- 2.1.1 Input multiplexer 10
- 2.1.2 Volume control 10
- 2.1.3 Bass control 10
- 2.1.4 Mid control 10
- 2.1.5 Treble control 10
- 2.1.6 Speaker control 10
- 2.1.7 Mute functions 11
- 2.2 Electrical characteristics 11

- 3 Stereo decoder part 14**
- 3.1 Notes to the characteristics: 16

- 4 Noise blanker part 17**

- 5 Multipath detector 20**
- 5.1 Description of the audioprocessor part 21
- 5.1.1 Input multiplexer 21
- 5.1.2 Input stages 21
- 5.1.3 AutoZero 21
- 5.1.4 AutoZero remain 21
- 5.1.5 Multiplexer output 21
- 5.1.6 Softmute 22
- 5.1.7 BASS 22
- 5.1.8 Attenuation (80Hz) 23
- 5.1.9 Center frequency (60, 70, 80, 100Hz) 23
- 5.1.10 Quality factors (1, 1.25, 1.5, 2) 23
- 5.1.11 DC mode 23
- 5.1.12 MID 23
- 5.1.13 Attenuation (1kHz) 23

5.1.14	Center frequency (500, 1k, 1.5k, 2k Hz)	23
5.1.15	Quality factor (2 at 1kHz)	23
5.1.16	Treble	23
5.1.17	Attenuation (17.5kHz)	23
5.1.18	Center frequency (10, 12.5, 15, 17.5kHz)	23
5.1.19	AC coupling	23
5.1.20	Speaker Attenuator	24
5.2	Functional description of the stereo decoder	26
5.2.1	Stereo decoder Mute	26
5.2.2	Ingain + Infilter	27
5.2.3	Demodulator	27
5.2.4	De-emphasis and Highcut.	28
5.2.5	PLL and pilot tone detector	28
5.2.6	Field strength control	28
5.2.7	LEVEL Input and Gain	29
5.2.8	Stereoblend control	29
5.2.9	Highcut control	29
5.2.10	Functional description of the noiseblanker	29
5.2.11	Trigger path	30
5.2.12	Automatic noise controlled threshold adjustment (ATC)	30
5.3	Automatic threshold control mechanism	31
5.3.1	Automatic threshold control by the stereoblend voltage	31
5.3.2	Over deviation detector	31
5.4	Functional description of the multipath detector	31
5.4.1	Programming	32
5.4.2	Quality detector	32
5.4.3	AF Search Control	32
5.5	Test mode	32
6	I2C Bus interface description	34
6.1	Interface protocol	34
6.2	Auto increment	34
7	Data byte specification	36
8	Package information	44

9	Revision history	45
----------	-------------------------------	-----------

List of tables

Table 1.	Pin Description	8
Table 2.	Absolute maximum ratings	9
Table 3.	Supply.	9
Table 4.	Thermal data.	9
Table 5.	Audio processor electrical characteristics	11
Table 6.	Stereo decoder electrical characteristics	14
Table 7.	Noise blanker electrical characteristics.	17
Table 8.	Multipath electrical characteristics	20
Table 9.	Quality detector.	20
Table 10.	Addresses.	34
Table 11.	Transmitted data (send mode)	34
Table 12.	Subaddress (receive mode)	35
Table 13.	Input selector (subaddress 0H).	36
Table 14.	Volume and speaker attenuation (subaddress 1H, 4H, 5H, 6H, 7H).	36
Table 15.	Treble filter (subaddress 2H)	37
Table 16.	Bass filter (subaddress 3H)	37
Table 17.	Soft mute and bass programming (subaddress 8H)	38
Table 18.	Stereo decoder (subaddress 9H)	38
Table 19.	Noiseblanker (subaddress AH).	39
Table 20.	High Cut (subaddress BH)	39
Table 21.	Field strength Control (subaddress CH)	40
Table 22.	Configuration (subaddress DH)	40
Table 23.	Stereo decoder adjustment (subaddress EH).	41
Table 24.	Testing (subaddress FH)	41
Table 25.	New quality / control (subaddress 10H)	42
Table 26.	Mid filter (subaddress 11H).	43
Table 27.	Document revision history	45

List of figures

Figure 1.	Block diagram	7
Figure 2.	Pin connections (top view)	7
Figure 3.	Vn timing diagram	18
Figure 4.	Trigger threshold vs.VPEAK	19
Figure 5.	Deviation controlled trigger adjustment	19
Figure 6.	Fieldstrength controlled trigger adjustment	19
Figure 7.	Input stages	22
Figure 8.	Softmute timing	22
Figure 9.	Bass control @ $f_c = 80\text{Hz}$, $Q = 1$	24
Figure 10.	Bass center @ Gain = 14dB, $Q = 1$	24
Figure 11.	Bass quality factors @ Gain = 14dB, $f_c = 80\text{Hz}$	24
Figure 12.	Bass normal and DC mode @ Gain = 14dB, $f_c = 80\text{Hz}$	24
Figure 13.	Mid control @ $f_c = 1\text{kHz}$, $Q = 1$	25
Figure 14.	Mid center frequency @ Gain = 14dB, $Q = 1$	25
Figure 15.	Mid Q factor @ $f_c = 1\text{kHz}$, Gain = 14dB	25
Figure 16.	Treble control @ $f_c = 17.5\text{kHz}$	25
Figure 17.	Treble center frequencies @ Gain = 14dB	25
Figure 18.	Block diagram of the stereo decoder	26
Figure 19.	Signals during stereo decoder's softmute.	27
Figure 20.	Internal Stereoblend characteristics	27
Figure 21.	Relation between internal and external LEVEL voltage and setup of stereoblend	28
Figure 22.	High cut characteristics.	28
Figure 23.	Block Diagram of the Noiseblanker	30
Figure 24.	Block diagram of the multipath detector	32
Figure 25.	Mute control logic	33

1 Block diagram and pin connections

Figure 1. Block diagram

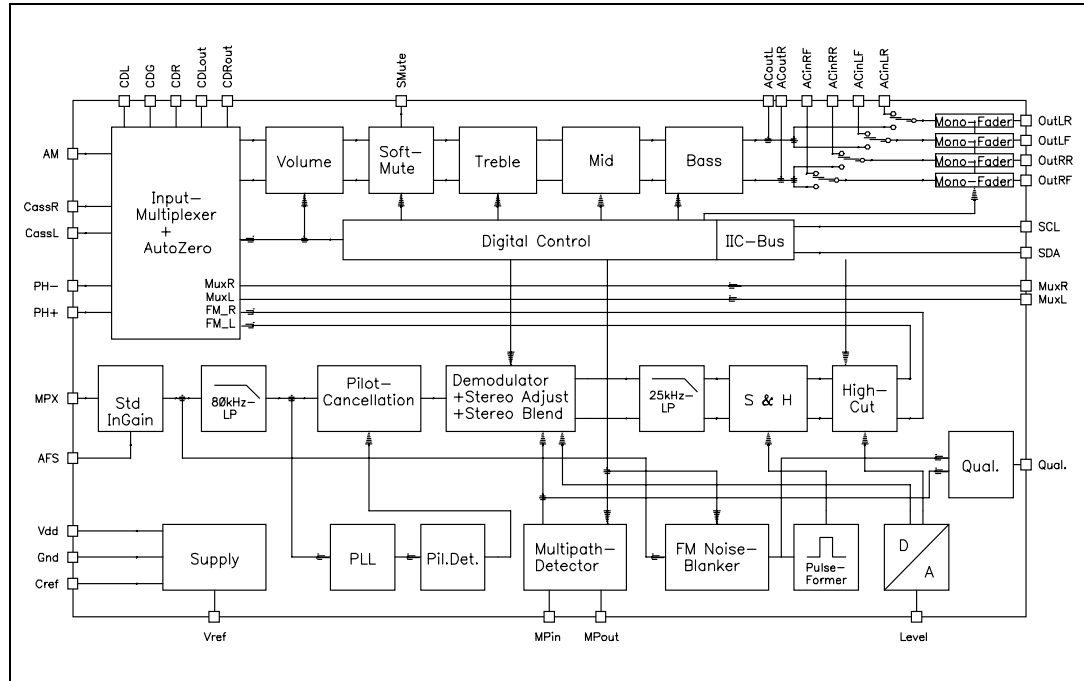


Figure 2. Pin connections (top view)

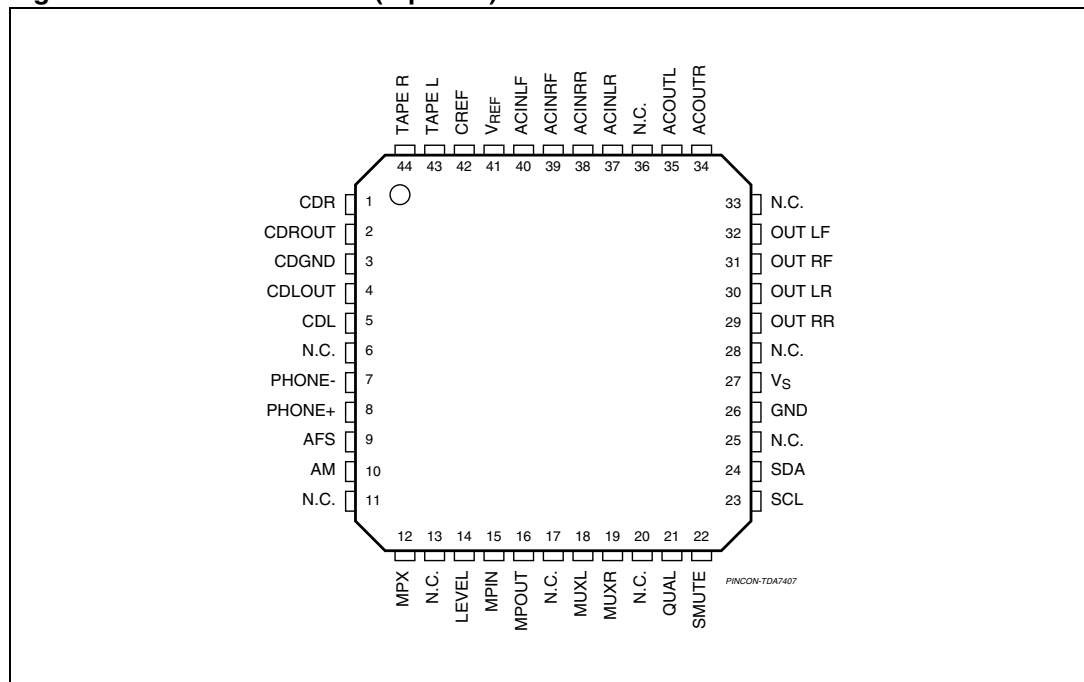


Table 1. Pin Description

N.	Name	Function	Type
1	CDR	CD right channel input	I
2	CDROUT	CD output right channel	O
3	CDGND	CD input common ground	I
4	CDLOUT	CD output left channel	O
5	CDL	CD input left channel	I
6	nc		-
7	PH -	Differential phone input -	I
8	PH +	Differential phone input +	I
9	AFS	AFS drive	I
10	AM	AM input	I
11	nc		-
12	MPX	FM stereo decoder input	I
13	nc		-
14	LEVEL	Level input stereo decoder	I
15	MPIN	Multipath input	I
16	MPOUT	Multipath output	O
17	nc		-
18	MUXL	Multiplexer output left channel	O
19	MUXR	Multiplexer output right channel	O
20	nc		-
21	QUAL	Stereo decoder quality output	O
22	SMUTE	Soft mute drive	I
23	SCL	I ² C clock line	I
24	SDA	I ² C data line	I/O
25	nc		-
26	GND	Supply ground	S
27	VS	Supply voltage	S
28	nc		-
29	OUTRR	Right rear speaker output	O
30	OUTLR	Left rear speaker output	O
31	OUTRF	Right front speaker output	O
32	OUTLF	Left front speaker output	O
33	nc		-
34	ACOUTR	Pre-speaker AC output right channel	O
35	ACOUTL	Pre-speaker AC output left channel	O

Table 1. Pin Description (continued)

N.	Name	Function	Type
36	nc		-
37	ACINLR	Pre-speaker input left rear channel	I
38	ACINRR	Pre-speaker input right rear channel	I
39	ACINRF	Pre-speaker input right front channel	I
40	ACINLF	Pre-speaker input left front channel	I
41	VREF	Reference voltage output	O
42	CREF	Reference capacitor pin	S
43	TAPEL	Tape input left	I
44	TAPER	Tape input right	I

Pin type legend: I = Input ; O = Output; I/O = Input/Output; S = Supply; nc = not connected

Table 2. Absolute maximum ratings

Symbol	Parameter	Value	Unit
V_S	Operating supply voltage	10.5	V
T_{amb}	Operating ambient temperature range	-40 to 85	°C
T_{stg}	Operating storage temperature range	-55 to 150	°C

Table 3. Supply

Symbol	Parameter	Test Condition	Min.	Typ.	Max.	Unit
V_S	Supply voltage		7.5	9	10	V
I_S	Supply current	$V_S = 9V$	30	35	40	mA
SVRR	Ripple rejection @ 1KHz	Audioprocessor (all filters flat)	50	60		dB
		Stereo decoder + audioprocessor	45	55		dB

Table 4. Thermal data

Symbol	Parameter	Value	Unit
$R_{th-j pins}$	Thermal resistance junction to pins (max)	85	°C/W

1.1 ESD

All pins are protected against ESD according to the MIL883 standard.

2 Audio processor part

2.1 List of features

2.1.1 Input multiplexer

- Quasi differential CD and cassette stereo input
- AM mono input
- Phone differential input
- Multiplexer signal after In-Gain available at separate pins

2.1.2 Volume control

- 1dB attenuator
- Max. gain 15dB
- Max. attenuation 79dB

2.1.3 Bass control

- 2nd order frequency response
- Q-factor programmable in 4 steps
- Center frequency programmable in 4(5) steps
- DC gain programmable
- $\pm 15 \times 1$ dB steps

2.1.4 Mid control

- 2nd order frequency response
- Q-factor programmable in 2 steps
- Center frequency programmable in 4 steps
- $\pm 15 \times 1$ dB steps

2.1.5 Treble control

- 2nd order frequency response
- Center frequency programmable in 4 steps
- $\pm 15 \times 1$ dB steps

2.1.6 Speaker control

- 4 independent speaker controls in 1dB steps
- max gain 15dB
- max. attenuation 79dB

2.1.7 Mute functions

- Direct mute
- Digitally controlled softmute with 4 programmable mute time.

2.2 Electrical characteristics

Table 5. Audio processor electrical characteristics

($V_S = 9V$; $T_{amb} = 25^\circ C$; $R_L = 10K\Omega$; all gains = 0dB; $f = 1KHz$; unless otherwise specified)

Symbol	Parameter	Test condition	Min.	Typ.	Max.	Unit
Input selector						
R_{in}	Input resistance	all inputs except phone	70	100	130	$K\Omega$
V_{CL}	Clipping level		2.2	2.6		V_{RMS}
S_{IN}	Input separation		80	100		dB
$G_{IN MIN}$	Min. input gain		-1	0	1	dB
$G_{IN MAX}$	Max. input gain		13	15	17	dB
G_{STEP}	Step resolution		0.5	1	1.5	dB
V_{DC}	DC steps	Adjacent gain step	-5	0.5	5	mV
		GMIN to GMAX	-10	5	10	mV
Differential CD stereo input						
R_{in}	Input resistance	Differential	70	100	130	$K\Omega$
		Common mode	70	100	130	$K\Omega$
CMRR	Common mode rejection ratio	$V_{CM} = 1V_{RMS} @ 1KHz$	45	70		dB
		$V_{CM} = 1V_{RMS} @ 10KHz$	45	60		dB
e_N	Output noise @ speaker outputs	20Hz to 20KHz flat; all stages 0dB		6	15	mV
Differential phone input						
R_{in}	Input resistance	Differential	40	56		$K\Omega$
CMRR	Common mode rejection ratio	$V_{CM} = 1V_{RMS} @ 1KHz$	40	70		dB
		$V_{CM} = 1V_{RMS} @ 10KHz$	40	60		dB
Volume control						
G_{MAX}	Max gain		13	15	17	dB
A_{MAX}	Max attenuation		70	79		dB
A_{STEP}	Step resolution		0.5	1	1.5	dB
E_A	Attenuation set error	$G = -20$ to $20dB$	-1.25	0	1.25	dB
		$G = -60$ to $20dB$	-4	0	3	dB
E_T	Tracking error			2		dB

Table 5. Audio processor electrical characteristics (continued)
 ($V_S = 9V$; $T_{amb} = 25^\circ C$; $R_L = 10K\Omega$; all gains = 0dB; $f = 1KHz$; unless otherwise specified)

Symbol	Parameter	Test condition	Min.	Typ.	Max.	Unit
V_{DC}	DC steps	Adjacent attenuation steps		0.1	3	mV
		From 0dB to GMIN		0.5	5	mV
Soft mute/AFS						
A_{MUTE}	Mute attenuation		80	100		dB
T_D	Delay time	T1		0.48		ms
		T2		0.96		ms
		T3		40.4		ms
		T4		324		ms
$V_{TH\ low}$	Low threshold for SM-/AFS- Pin ⁽¹⁾			1		V
$V_{TH\ high}$	High threshold for SM-/AFS-Pin		2.5			V
R_{PD}	Internal pull-up resistor			45		K Ω
Bass control						
C_{RANGE}	Control range		± 13	± 15	± 17	dB
A_{STEP}	Step resolution		0.5	1	1.5	dB
f_C	Center frequency	f_{C1}	54	60	66	Hz
		f_{C2}	63	70	77	Hz
		f_{C3}	72	80	88	Hz
		f_{C4}	90	100 (150) (2)	110	Hz
Q_{BASS}	Quality factor	Q_1	0.9	1	1.1	
		Q_2	1.1	1.25	1.4	
		Q_3	1.3	1.5	1.7	
		Q_4	1.8	2	2.2	
DC_{GAIN}	Bass-DC-gain	DC = off	-1	0	1	dB
		DC = on	3.5	4.4	5.5	dB
MID control						
C_{RANGE}	Control range		± 13	± 15	± 17	dB
A_{STEP}	Step resolution		0.5	1	1.5	dB
f_C	Center frequency	f_{C1}	450	500	550	Hz
		f_{C2}	0.9	1	1.1	kHz
		f_{C3}	1.35	1.5	1.65	kHz
		f_{C4}	1.8	2	2.2	kHz

Table 5. Audio processor electrical characteristics (continued)
 ($V_S = 9V$; $T_{amb} = 25^\circ C$; $R_L = 10K\Omega$; all gains = 0dB; $f = 1KHz$; unless otherwise specified)

Symbol	Parameter	Test condition	Min.	Typ.	Max.	Unit
Q_{MID}	Quality factor	Q_1	0.9	1	1.1	
		Q_2	1.8	2	2.2	
Treble control						
C_{RANGE}	Control range		± 13	± 15	± 17	dB
A_{STEP}	Step resolution		0.5	1	1.5	dB
f_C	Center frequency	f_{C1}	8	10	12	KHz
		f_{C2}	10	12.5	15	KHz
		f_{C3}	12	15	18	KHz
		f_{C4}	14	17.5	21	KHz

1. The SM pin is active low (mute = 0)
2. See note in programming section

3 Stereo decoder part

Table 6. Stereo decoder electrical characteristics

($V_S = 9V$; de-emphasis time constant = $50\mu s$, $V_{MPX} = 500mV$ (75KHz deviation), $f_m = 1KHz$, $G_v = 6dB$. $T_{amb} = 25^\circ C$; unless otherwise specified)

Symbol	Parameter	Test condition	Min.	Typ.	Max.	Unit
V_{in}	MPX input level	$G_v = 3.5dB$		0.5	1.25	V_{RMS}
R_{in}	Input resistance		70	100	130	$K\Omega$
G_{MIN}	Min. input gain		1.5	3.5	4.5	dB
G_{MAX}	Max. input gain		8.5	11	12.5	dB
G_{STEP}	Step resolution		1.75	2.5	3.25	dB
$SVRR$	Supply voltage ripple rejection	$V_{ripple} = 100mV$; $f = 1KHz$	35	60		dB
α	Max. channel separation		30	50		dB
THD	Total harmonic distortion			0.02	0.3	%
$\frac{S+N}{N}$	Signal plus noise to noise ratio	A-weighted, $S = 2V_{RMS}$	80	91		dB
Mono / stereo switch						
V_{PTHST1}	Pilot threshold voltage	for Stereo, $PTH = 1$	10	15	25	mV
V_{PTHST0}	Pilot threshold voltage	for Stereo, $PTH = 0$	15	25	35	mV
V_{PTHMO1}	Pilot threshold voltage	for Mono, $PTH = 1$	7	12	17	mV
V_{PTHMO0}	Pilot threshold voltage	for Mono, $PTH = 1$	10	19	25	mV
PLL						
$\Delta f/f$	Capture range		0.5			%
De-emphasis and highcut						
t_{HC50}	De-emphasis time constant	Bit 7, Subadr, $10 = 0$, $V_{LEVEL} \gg V_{HCH}$	25	50	75	μs
t_{HC75}	De-emphasis time constant	Bit 7, Subadr, $10 = 1$, $V_{LEVEL} \gg V_{HCH}$	50	75	100	μs
t_{HC50}	Highcut time constant	Bit 7, Subadr, $10 = 0$, $V_{LEVEL} \gg V_{HCL}$	100	150	200	μs
t_{HC75}	Highcut time constant	Bit 7, Subadr, $10 = 1$, $V_{LEVEL} \gg V_{HCL}$	150	225	300	μs
Stereo blend and highcut control						
REF5V	Internal reference voltage		4.7	5	5.3	V
T_{CREF5V}	Temperature coefficient			3300		ppm
L_{Gmin}	Min. LEVEL gain		-1	0	1	dB
L_{Gmax}	Max. LEVEL gain		8	10	12	dB

Table 6. Stereo decoder electrical characteristics (continued)

($V_S = 9V$; de-emphasis time constant = $50\mu s$, $V_{MPX} = 500mV$ (75KHz deviation), $f_m = 1KHz$, $G_v = 6dB$. $T_{amb} = 25^\circ C$; unless otherwise specified)

Symbol	Parameter	Test condition	Min.	Typ.	Max.	Unit
L_{Gstep}	LEVEL gain step resolution		0.3	0.67	1	dB
$VSBL_{min}$	Min. voltage for mono		25	29	33	%REF5V
$VSBL_{max}$	Min. voltage for mono		54	58	62	%REF5V
$VSBL_{step}$	Step resolution		2.2	4.2	6.2	%REF5V
$VHCH_{min}$	Min. voltage for NO highcut		38	42	46	%REF5V
$VHCH_{max}$	Min. voltage for NO highcut		62	66	70	%REF5V
$VHCH_{step}$	Step resolution		5	8.4	12	%REF5V
$VHCL_{min}$	Min. voltage for full highcut		12	17	22	%VHCH
$VHCL_{max}$	Max. voltage for full highcut		28	33	38	%VHCH
$VHCL_{step}$	Step resolution		2.2	4.2	6.2	%VHCH
Carrier and harmonic suppression at the output						
α_{19}	Pilot signal $f = 19KHz$		40	50		dB
α_{38}	Subcarrier $f = 38KHz$				75	dB
α_{57}	Subcarrier $f = 57KHz$				62	dB
α_{76}	Subcarrier $f = 76KHz$				90	dB
Intermodulation (Note 1)						
α_2	$f_{mod} = 10KHz$, $f_{spur} = 1KHz$				65	dB
α_3	$f_{mod} = 13KHz$, $f_{spur} = 1KHz$				75	dB
Traffic Ratio (Note 2)						
α_{57}	Signal $f = 57KHz$				70	dB
SCA - Subsidiary communications authorization (note 3)						
α_{67}	Signal $f = 67KHz$				75	dB
ACI - Adjacent channel interference (note 4)						
α_{114}	Signal $f = 114KHz$				95	dB
α_{190}	Signal $f = 190KHz$				84	dB

3.1 Notes to the characteristics:

1. Intermodulation suppression:

$$\alpha_2 = \frac{V_{O(\text{signal})(\text{at}1\text{kHz})}}{V_{O(\text{spurious})(\text{at}1\text{kHz})}}; f_s = (2 \times 10\text{kHz}) - 19\text{kHz}$$

$$\alpha_3 = \frac{V_{O(\text{signal})(\text{at}1\text{kHz})}}{V_{O(\text{spurious})(\text{at}1\text{kHz})}}; f_s = (3 \times 13\text{kHz}) - 38\text{kHz}$$

measured with: 91% pilot signal; $f_m = 10\text{kHz}$ or 13kHz .

2. Traffic radio (V.F.) suppression: measured with: 91% stereo signal; 9% pilot signal; $f_m = 1\text{kHz}$; 5% subcarrier ($f = 57\text{kHz}$, $f_m = 23\text{Hz}$ AM, $m = 60\%$)

$$\alpha_{57(\text{V.W} > \text{F.})} = \frac{V_{O(\text{signal})(\text{at}1\text{kHz})}}{V_{O(\text{spurious})(\text{at}1\text{kHz} \pm 23\text{kHz})}}$$

3. SCA (Subsidiary Communications Authorization) measured with: 81% mono signal; 9% pilot signal; $f_m = 1\text{kHz}$; 10% SCA - subcarrier ($f_s = 67\text{kHz}$, unmodulated).

$$\alpha_{67} = \frac{V_{O(\text{signal})(\text{at}1\text{kHz})}}{V_{O(\text{spurious})(\text{at}9\text{kHz})}}; F_s = (2 \times 38\text{kHz}) - 67\text{kHz}$$

4. ACI (Adjacent Channel Interference):

$$\alpha_{114} = \frac{V_{O(\text{signal})(\text{at}1\text{kHz})}}{V_{O(\text{spurious})(\text{at}4\text{kHz})}}; F_s = 110\text{kHz} - (3 \times 38\text{kHz})$$

$$\alpha_{114} = \frac{V_{O(\text{signal})(\text{at}1\text{kHz})}}{V_{O(\text{spurious})(\text{at}4\text{kHz})}}; F_s = 186\text{kHz} - (5 \times 38\text{kHz})$$

measured with: 90% mono signal; 9% pilot signal; $f_m = 1\text{kHz}$; 1% spurious signal ($f_s = 110\text{kHz}$ or 186kHz , unmodulated).

4 Noise blanker part

- internal 2nd order 140kHz high pass filter
- programmable trigger threshold
- trigger threshold dependent on high frequency noise with programmable gain
- additional circuits for deviation and fieldstrength dependent trigger adjustment
- very low offset current during hold time due to opamps wMOS inputs
- four selectable pulse suppression times
- programmable noise rectifier charge/discharge current

Table 7. Noise blanker electrical characteristics

Symbol	Parameter	Test condition		Min.	Typ.	Max.	Unit	
V _{TR}	Trigger threshold ^{(1) (2)}	meas. with V _{PEAK} = 0.9V	NBT = 111	⁽¹⁰⁾	30	⁽¹⁰⁾	mV _{OP}	
			NBT = 110	⁽¹⁰⁾	35	⁽¹⁰⁾	mV _{OP}	
			NBT = 101	⁽¹⁰⁾	40	⁽¹⁰⁾	mV _{OP}	
			NBT = 100	⁽¹⁰⁾	45	⁽¹⁰⁾	mV _{OP}	
			NBT = 011	⁽¹⁰⁾	50	⁽¹⁰⁾	mV _{OP}	
			NBT = 010	⁽¹⁰⁾	55	⁽¹⁰⁾	mV _{OP}	
			NBT = 001	⁽¹⁰⁾	60	⁽¹⁰⁾	mV _{OP}	
V _{TRNOISE}	Noise controlled trigger threshold ⁽³⁾	meas. with V _{PEAK} = 1.5V	NCT = 00	⁽¹⁰⁾	260	⁽¹⁰⁾	mV _{OP}	
			NCT = 01	⁽¹⁰⁾	220	⁽¹⁰⁾	mV _{OP}	
			NCT = 10	⁽¹⁰⁾	180	⁽¹⁰⁾	mV _{OP}	
			NCT = 11	⁽¹⁰⁾	140	⁽¹⁰⁾	mV _{OP}	
V _{RECT}	Rectifier voltage	V _{MPX} = 0mV	NRD ⁽⁷⁾ = 00	0.5	0.9	1.3	V	
		V _{MPX} = 50mV; f = 150KHz		1.5	1.7	2.1	V	
		V _{MPX} = 200mV; f = 150KHz		2.2	2.5	2.9	V	
V _{RECT DEV}	Deviation dependent rectifier voltage ⁽⁴⁾	means. with V _{MPX} = 800mV (75KHz dev.)	OVD = 11		0.5	0.9(off)	1.3	V _{OP}
			OVD = 10		0.9	1.2	1.5	V _{OP}
			OVD = 01		1.7	2.0	2.3	V _{OP}
			OVD = 00		2.5	2.8	3.1	V _{OP}
V _{RECT FS}	Fieldstrength controlled rectifier voltage ⁽⁵⁾	means. with V _{MPX} = 0mV V _{LEVEL} << V _{SBL} (fully mono)	FSC = 11		0.5	0.9(off)	1.3	V
			FSC = 10		0.9	1.4	1.5	V
			FSC = 01		1.7	1.9	2.3	V
			FSC = 00		2.1	2.4	3.1	V

Table 7. Noise blanker electrical characteristics (continued)

Symbol	Parameter	Test condition		Min.	Typ.	Max.	Unit
T _S	Suppression pulse duration ⁽⁶⁾	Signal HOLDN in testmode	BLT = 00	TBD	38	TBD	μs
			BLT = 10	TBD	32	TBD	μs
			BLT = 01	TBD	25.5	TBD	μs
			BLT = 00	TBD	22	TBD	μs
V _{RECTADJ}	Noise rectifier discharge adjustment ⁽⁷⁾	Signal PEAK in testmode	NRD = 00 ⁽⁵⁾	(10)	0.3	(10)	V/ms
			NRD = 01 ⁽⁵⁾	(10)	0.8	(10)	V/ms
			NRD = 10 ⁽⁵⁾	(10)	1.3	(10)	V/ms
			NRD = 11 ⁽⁵⁾	(10)	2.0	(10)	V/ms
SR _{PEAK}	Noise rectifier charge	Signal PEAK in testmode	PCH = 0 ⁽⁸⁾	(10)	10	(10)	mV/μs
			PCH = 1 ⁽⁸⁾	(10)	20	(10)	mV/μs
V _{ADJMP}	Noise rectifier adjustment through multipath ⁽⁹⁾	Signal PEAK in testmode	MPNB = 00 ⁽⁹⁾	(10)	0.3	(10)	V/ms
			MPNB = 01 ⁽⁹⁾	(10)	0.5	(10)	V/ms
			MPNB = 10 ⁽⁹⁾	(10)	0.7	(10)	V/ms
			MPNB = 11 ⁽⁹⁾	(10)	0.9	(10)	V/ms

1. All Thresholds are measured using a pulse with TR = 2ms, THIGH = 2ms and TF = 10ms. The repetition rate must not increase the PEAK voltage
2. NBT represents the Noiseblanker Byte bits D2, D0 for the noise blanker trigger threshold
3. NAT represents the Noiseblanker Byte bit pair D4, D3 for the noise controlled triggeradjustment
4. OVD represents the Noiseblanker Byte bit pair D7, D6 for the over deviation detector
5. FSC represents the Fieldstrength Byte bit pair D1, D0 for the fieldstrength control
6. BLT represents the Speaker RR Byte bit pair D7, D6 for the blanktime adjustment
7. NRD represents the Configuration Byte bit pair D1, D0 for the noise rectifier discharge adjustment
8. PCH represents the Stereo decoder Byte bit D5 for the noise rectifier charge current adjustment
9. MPNB represents the HighCut Byte bit D7 and the Fieldstrength Byte D7 for the noise rectifier multipath adjustment
10. By design / characterization functionally guaranteed through dedicated test mode structure

Figure 3. Vn timing diagram

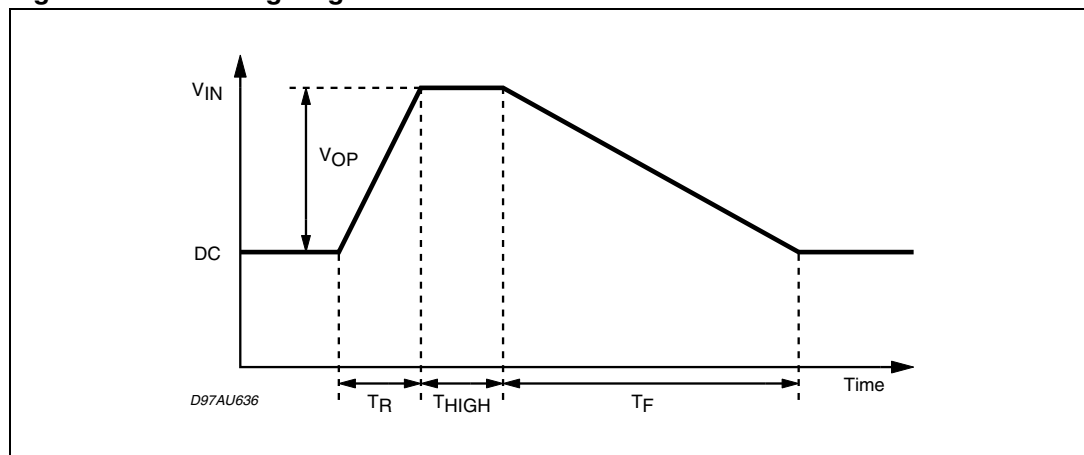


Figure 4. Trigger threshold vs. V_{PEAK}

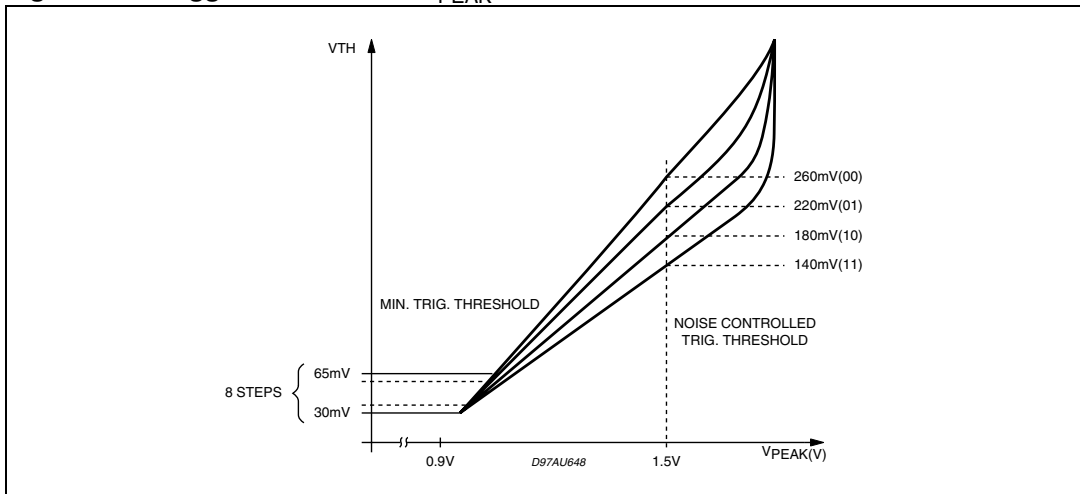


Figure 5. Deviation controlled trigger adjustment

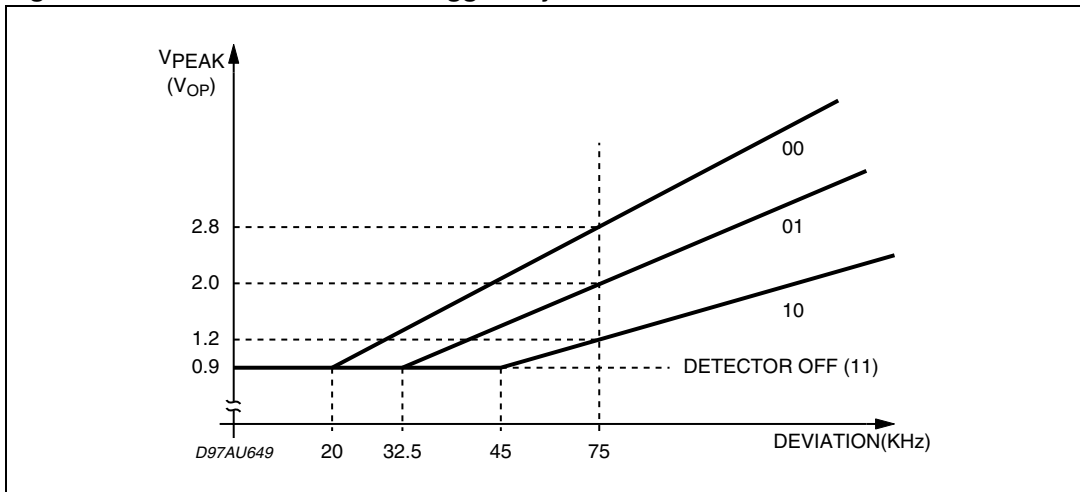
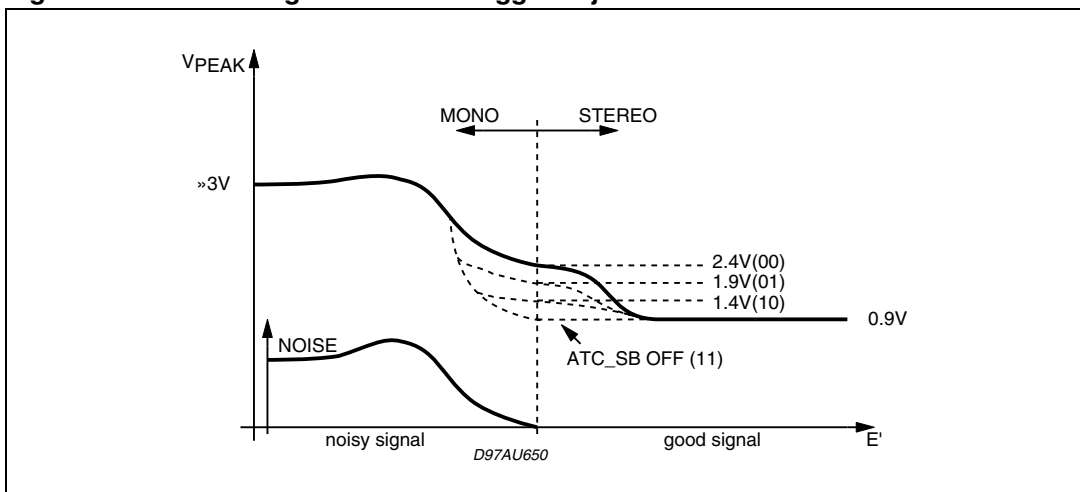


Figure 6. Fieldstrength controlled trigger adjustment



5 Multipath detector

- Internal 19kHz band pass filter
- Programmable band pass and rectifier gain
- two pin solution fully independent usable for external programming
- selectable internal influence on Stereoblend

Table 8. Multipath electrical characteristics

Symbol	Parameter	Test condition	Min.	Typ.	Max.	Unit
f_{CMP}	Center frequency of multipath-bandpass	stereo decoder locked on pilot tone		19		KHz
G_{BPMP}	Bandpass gain	bits D_2, D_1 configuration byte = 00		6		dB
		bits D_2, D_1 configuration byte = 10		12		dB
		bits D_2, D_1 configuration byte = 01		16		dB
		bits D_2, D_1 configuration byte = 11		18		dB
G_{RECTMP}	Rectifier gain	bits D_7, D_6 configuration byte = 00		7.6		dB
		bits D_7, D_6 configuration byte = 01		4.6		dB
		bits D_7, D_6 configuration byte = 10		0		dB
		bits D_7, D_6 configuration byte = 11		off		dB
I_{CHMP}	Rectifier charge current	bit D_5 configuration byte = 0		0.5		μA
		bit D_5 configuration byte = 1		1.0		μA
I_{DISMP}	Rectifier discharge current		0.5	1	1.5	mA

Table 9. Quality detector

Symbol	Parameter	Test Condition	Min.	Typ.	Max.	Unit
A	Multipath Influence factor	Addr. 12 / Bit 5+6	00		0.7	dB
			01		0.85	dB
			10		1.00	dB
			11		1.15	dB
B	Noise influence factor	Addr. 16 / Bit 1+2	00		15	dB
			01		12	dB
			10		9	dB
			11		6	dB

5.1 Description of the audioprocessor part

5.1.1 Input multiplexer

- CD quasi differential
- Cassette stereo
- Phone differential
- AM mono
- Stereo decoder input.

5.1.2 Input stages

Most of the input stages have remained the same as in preceding ST audioprocessors with the exception of the CD inputs (see [Figure 7](#)). In the meantime there are some CD players on the market having a significant high source impedance which strongly affects the common mode rejection of the normal differential input stage. The additional buffer of the CD input avoids this drawback and offers the full common mode rejection even with those CD players.

The output of the CD stage is permanently available of the CD out-pins

5.1.3 AutoZero

In order to reduce the number of pins, there is no AC coupling between the In-Gain and the following stage, so that any offset generated by or before the In-Gain stage would be transferred or even amplified to the output. To avoid that effect a special offset cancellation stage called AutoZero is implemented.

This stage is located before the volume block to eliminate all offsets generated by the stereo decoder, the input stage and the In-Gain (please notice that externally generated offsets, e.g. generated through the leakage current of the coupling capacitors, are not cancelled).

Auto-zeroing is started every time the DATA-BYTE 0 is selected and takes a time of max. 0.3ms. To avoid audible clicks the audioprocessor is muted before the volume stage during this time.

5.1.4 AutoZero remain

In some cases, for example if the μP is executing a refresh cycle of the I²C bus programming, it is not useful to start a new AutoZero action because no new source is selected and an undesired mute would appear at the outputs. For such applications the TDA7407 could be switched in the "Auto Zero Remain mode" (Bit 6 of the subaddress byte). If this bit is set to high, the DATABYTE 0 could be loaded without invoking the AutoZero and the old adjustment value remains.

5.1.5 Multiplexer output

The output signal of the input multiplexer is available at separate pins (please see the block diagram). This signal represents the input signal amplified by the In-Gain stage and is also going into the mixer stage.

5.1.6 Softmute

The digitally controlled softmute stage allows muting/demuting the signal with a I²C bus programmable slope. The mute process can either be activated by the softmute pin or by the I²C bus. The slope is realized in a special S shaped curve to mute slow in the critical regions.

Figure 7. Input stages

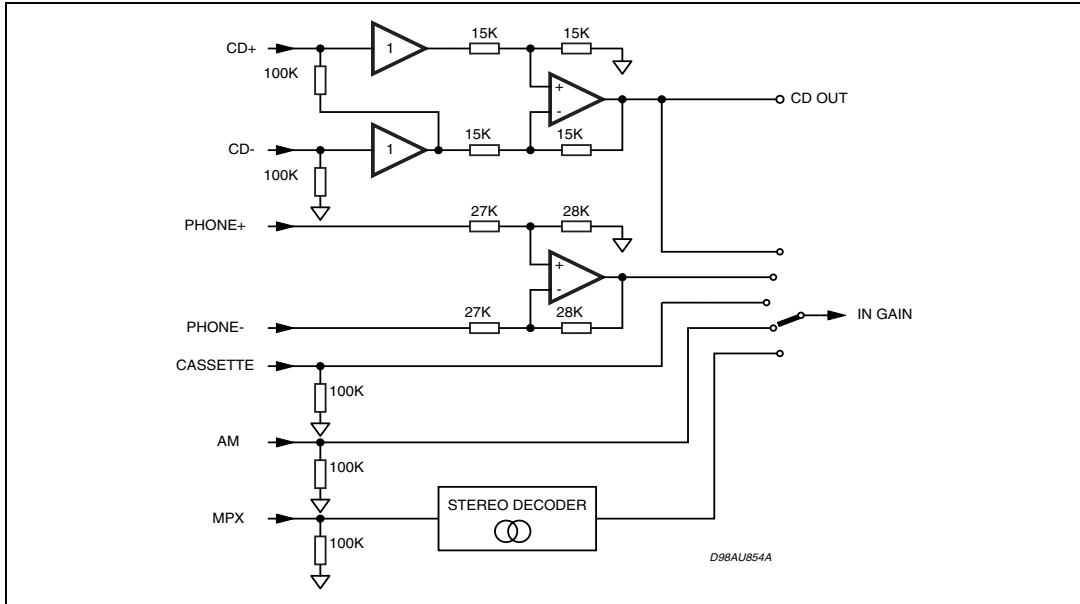
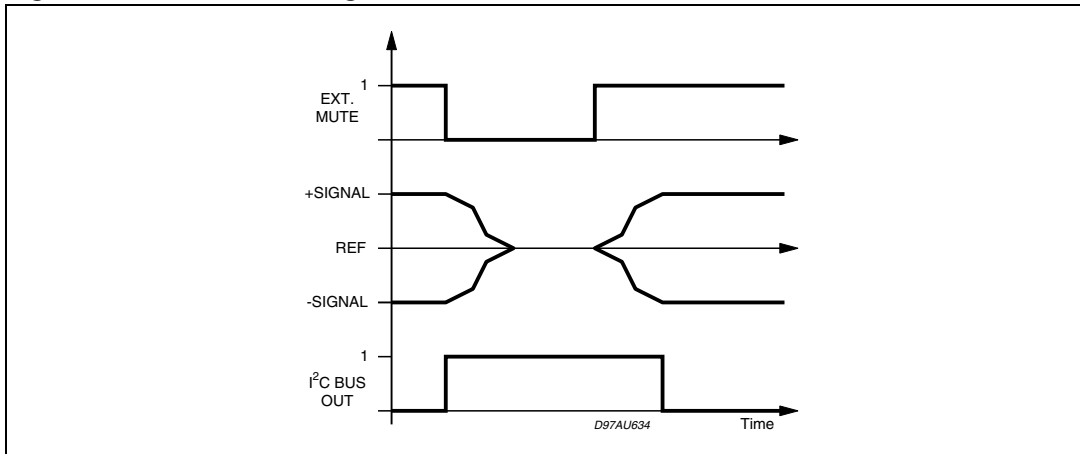


Figure 8. Softmute timing



Note: Please notice that a started Mute action is always terminated and could not be interrupted by a change of the mute signal.

For timing purposes the Bit 3 of the I²C bus output register is set to 1 from the start of muting until the end of demuting.

5.1.7 BASS

There are four parameters programmable in the bass stage: (see figs 9, 10, 11, 12):

5.1.8 Attenuation (80Hz)

Figure 9 shows the attenuation as a function of frequency at a center frequency of 80Hz.

5.1.9 Center frequency (60, 70, 80, 100Hz)

Figure 10 shows the four possible center frequencies 60,70,80 and 100Hz.

5.1.10 Quality factors (1, 1.25, 1.5, 2)

Figure 11 shows the four possible quality factors 1, 1.25, 1.5 and 2.

5.1.11 DC mode

In this mode the DC gain is increased by 5.1dB. In addition the programmed center frequency and quality factor is decreased by 25%, which can be used to reach alternative center frequencies or quality factors. (see *Figure 12*)

5.1.12 MID

There are 3 parameters programmable in the mid stage (see figures *13*, *14* and *15*)

5.1.13 Attenuation (1kHz)

Figure 13 shows the attenuation as a function of frequency at a center frequency of 1kHz.

5.1.14 Center frequency (500, 1k, 1.5k, 2k Hz)

Figure 14 shows the four possible center frequencies 500Hz, 1kHz, 1.5kHz and 2kHz.

5.1.15 Quality factor (2 at 1kHz)

Figure 15 shows the two possible quality factors 1 and 2 at a center frequency of 1kHz.

5.1.16 Treble

There are two parameters programmable in the treble stage (see figures *16*, and *17*):

5.1.17 Attenuation (17.5kHz)

Figure 16 shows the attenuation as a function of frequency at a center frequency of 17.5KHz.

5.1.18 Center frequency (10, 12.5, 15, 17.5kHz)

Figure 17 shows the four possible Center Frequency (10, 12.5, 15 and 17.5kHz).

5.1.19 AC coupling

In some applications additional signal manipulations are desired, for example surround sound or more band equalizing. For this purpose AC Coupling is placed before the speaker attenuators, which can be activated or internally shorted by Bit7 in the Bass/Treble configuration byte. In short condition the input signal of the speaker attenuator is available at

AC Outputs and the AC Input could be used as additional stereo inputs. The input impedance of the AC Inputs is always 50KΩ.

5.1.20 Speaker Attenuator

The speaker attenuators have exactly the same structure and range like the volume stage.

Figure 9. Bass control @ $f_c = 80\text{Hz}$, $Q = 1$

Figure 10. Bass center @ Gain = 14dB, $Q = 1$

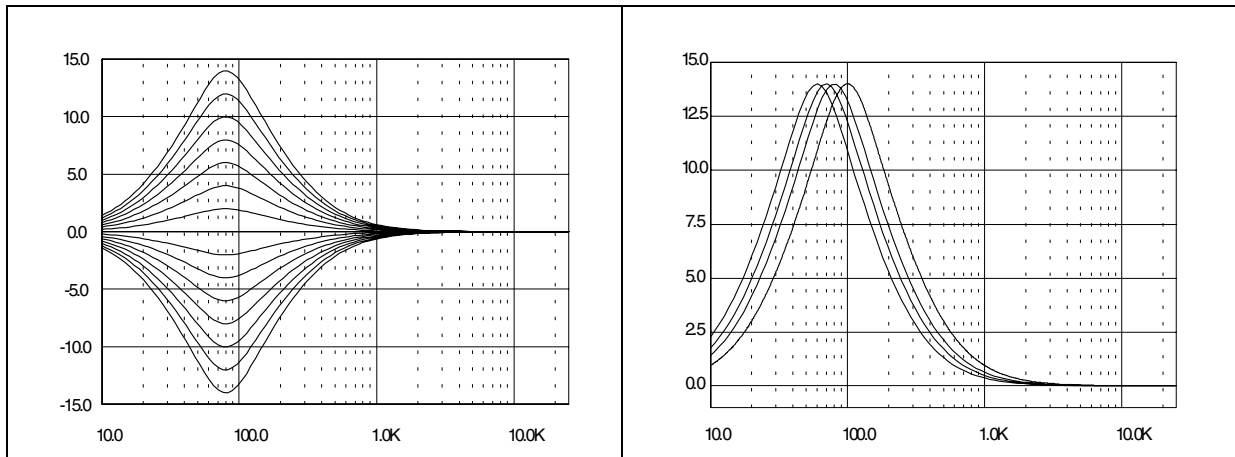


Figure 11. Bass quality factors @ Gain = 14dB, $f_c = 80\text{Hz}$

Figure 12. Bass normal and DC mode @ Gain = 14dB, $f_c = 80\text{Hz}$

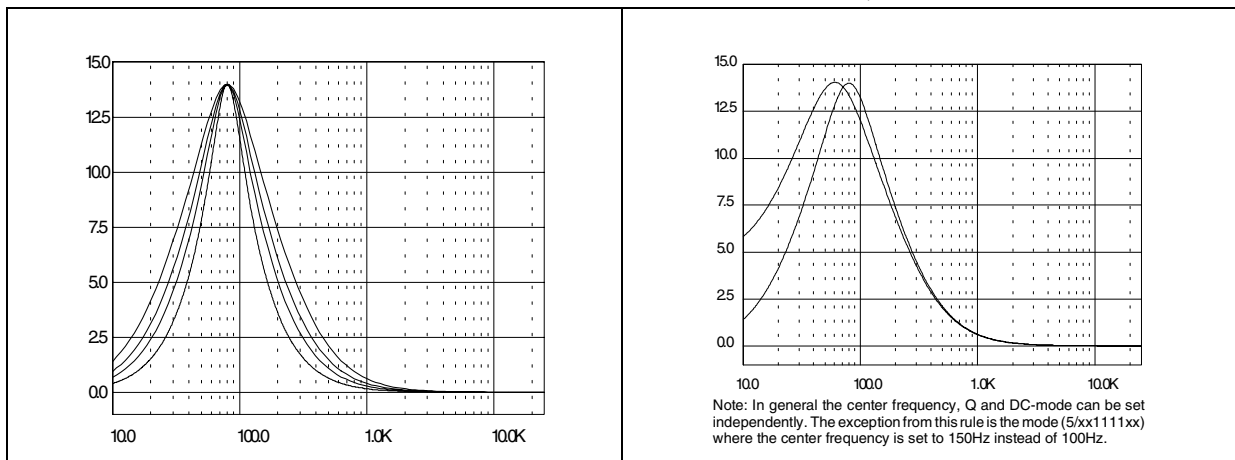


Figure 13. Mid control @ $f_c=1\text{kHz}$, $Q=1$

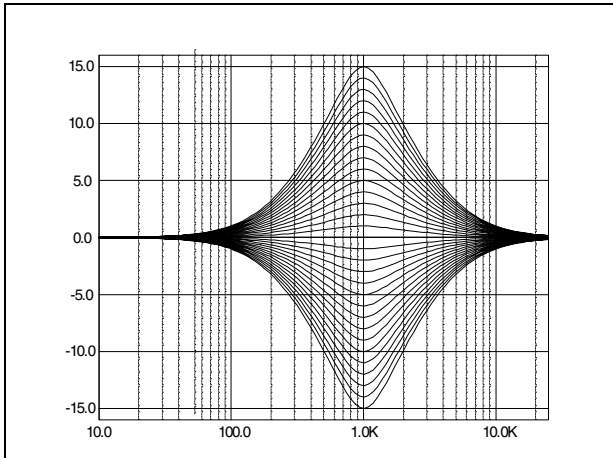


Figure 14. Mid center frequency @ Gain=14dB, Q1

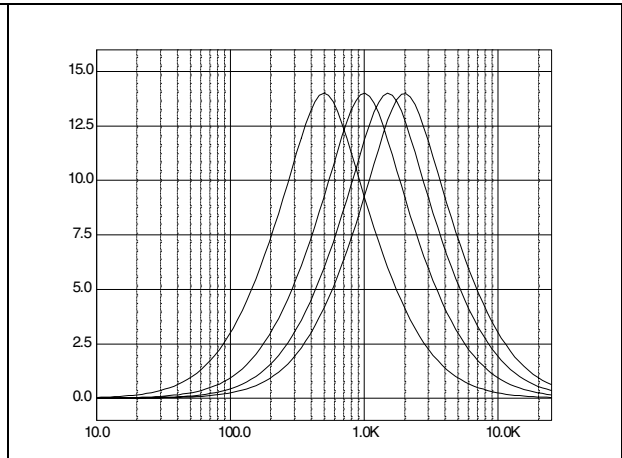


Figure 15. Mid Q factor @ $f_c=1\text{kHz}$, Gain=14dB

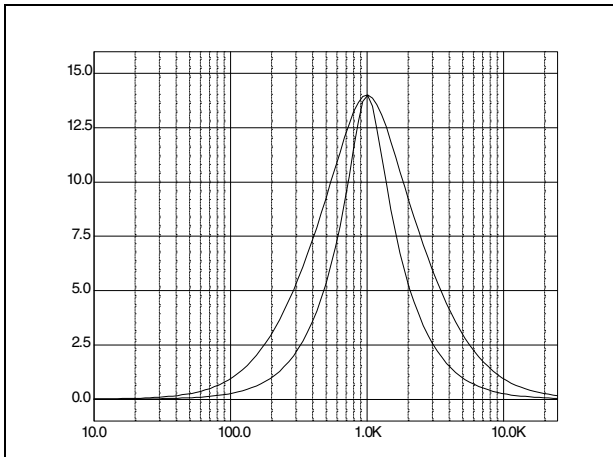


Figure 16. Treble control @ $f_c = 17.5\text{KHz}$

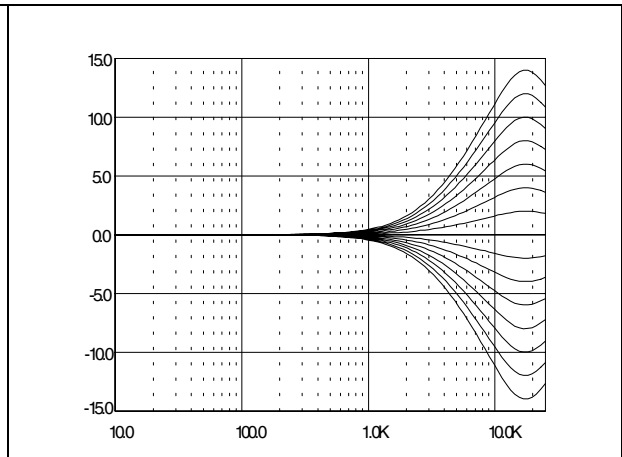
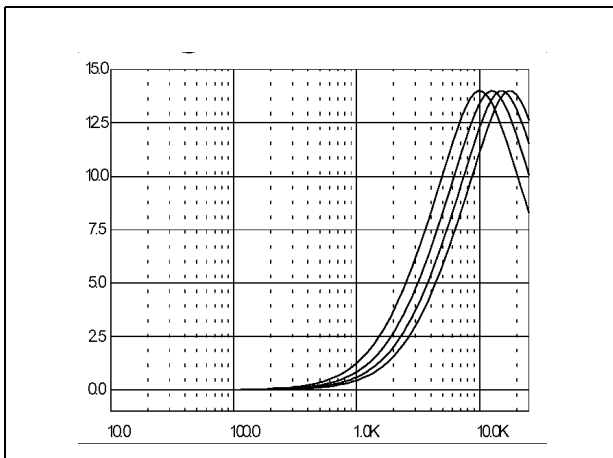


Figure 17. Treble center frequencies @ Gain = 14dB



5.2 Functional description of the stereo decoder

The stereo decoder part of the TDA7407 (see *Figure 18*) contains all functions necessary to demodulate the MPX signal like pilot tone dependent MONO/STEREO switching as well as "stereoblend" and "highcut" functions.

5.2.1 Stereo decoder Mute

The TDA7407 has a fast and easy to control RDS mute function which is a combination of the audioprocessor's softmute and the high ohmic mute of the stereo decoder. If the stereo decoder is selected and a softmute command is sent (or activated through the SM pin), the stereo decoder will be set automatically to the high ohmic mute condition after the audio signal has been softmuted.

Hence a checking of alternate frequencies could be performed. To release the system from the mute condition, the unmute command must be sent: the stereo decoder is unmuted immediately and the audioprocessor is softly unmuted. *Figure 19* shows the output signal VO as well as the internal stereo decoder mute signal. This influence of Softmute on the stereo decoder mute can be switched off by setting bit 3 of the Softmute byte to "0". A stereo decoder mute command (bit 0, stereo decoder byte set to "1") will set the stereo decoder in any case independently to the high ohmic mute state.

Figure 18. Block diagram of the stereo decoder

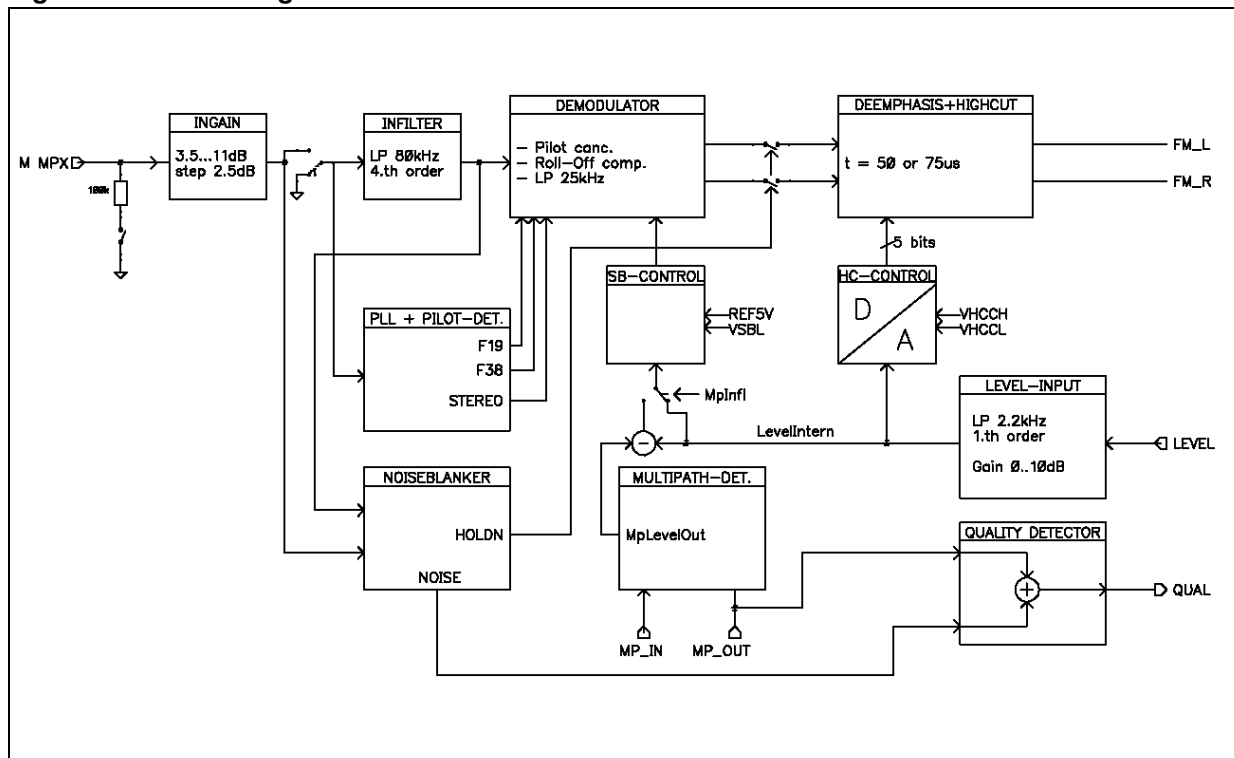


Figure 19. Signals during stereo decoder's softmute

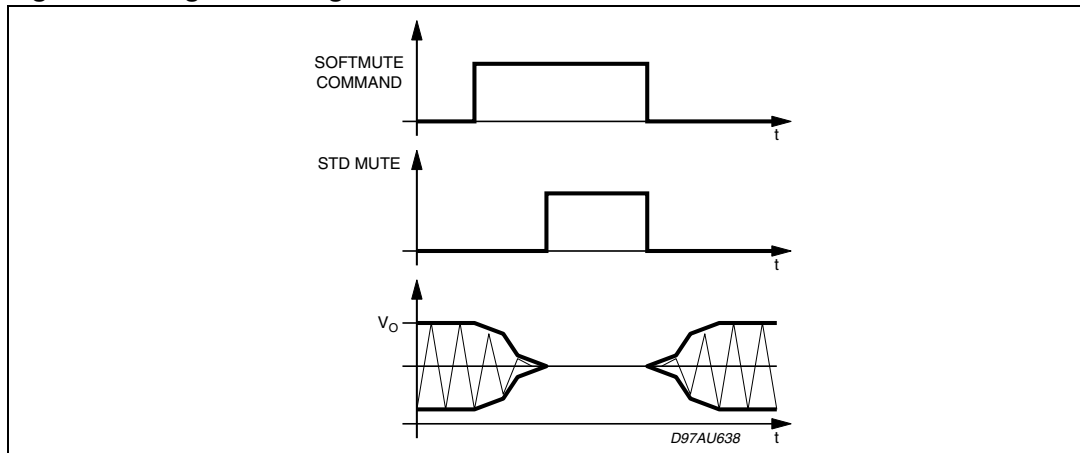
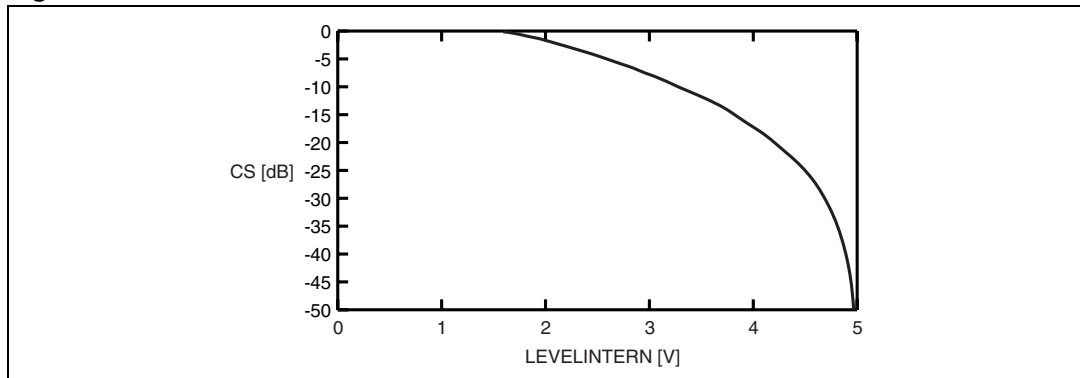


Figure 20. Internal Stereoblend characteristics



If any other source than the stereo decoder is selected the decoder remains muted and the MPX pin is connected to Vref to avoid any discharge of the coupling capacitor through leakage currents.

5.2.2 Ingain + Infilter

The Ingain stage allows to adjust the MPX signal to a magnitude of about 1Vrms internally which is the recommended value. The 4th order input filter has a corner frequency of 80KHz and is used to attenuate spikes and noise and acts as an anti aliasing filter for the following switch capacitor filters.

5.2.3 Demodulator

In the demodulator block the left and the right channel are separated from the MPX signal. In this stage also the 19 kHz pilot tone is cancelled. For reaching a high channel separation the TDA7407 offers an I²C bus programmable roll-off adjustment which is able to compensate the lowpass behaviour of the tuner section. If the tuner attenuation at 38kHz is in a range from 4.2% to 31.0% the TDA7407 needs no external network in front of the MPX pin. Within this range an adjustment to obtain at least 40dB channel separation is possible. The bits for this adjustment are located together with the fieldstrength adjustment in one byte. This gives the possibility to perform an optimization step during the production of the car radio where the channel separation and the fieldstrength control are trimmed.

5.2.4 De-emphasis and Highcut.

The lowpass filter for the de-emphasis allows to choose between a time constant of 50µs and 75µs (bit D7, stereo decoder byte).

The highcut control range will be in both cases $\tau_{HC} = 2 \cdot \tau_{Deemp}$. Inside the highcut control range (between VHCH and VHCL) the LEVEL signal is converted into a 5 bit word which controls the lowpass time constant between $\tau_{Deemp} \dots 3 \cdot \tau_{Deemp}$. There by the resolution will remain always 5 bits independently of the absolute voltage range between the VHCH and VHCL values.

The highcut function can be switched off by I²C bus (bit D7, fieldstrength byte set to "0").

5.2.5 PLL and pilot tone detector

The PLL has the task to lock on the 19kHz pilotone during a stereo transmission to allow a correct demodulation. The included detector enables the demodulation if the pilot tone reaches the selected pilot tone threshold V_{PTHST} . Two different thresholds are available. The detector output (signal STEREO, see block diagram) can be checked by reading the status byte of the TDA7407 via I²C bus.

5.2.6 Field strength control

The fieldstrength input is used to control the high cut and the stereoblend function. In addition the signal can be also used to control the noiseblanker thresholds and as input for the multipath detector.

Figure 21. Relation between internal and external LEVEL voltage and setup of stereoblend

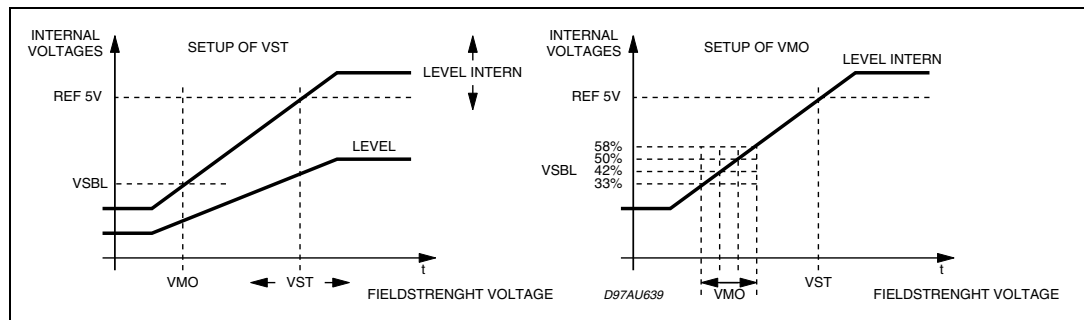
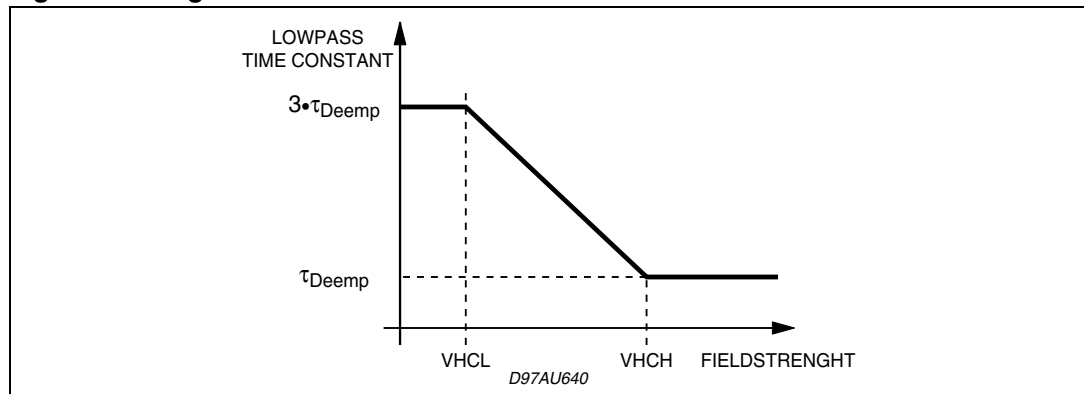


Figure 22. High cut characteristics



5.2.7 LEVEL Input and Gain

To suppress undesired high frequency modulation on the highcut and stereoblend function the LEVEL signal is lowpass filtered firstly.

The filter is a combination of a 1st order RC lowpass at 53kHz (working as anti-aliasing filter) and a 1st-order switched capacitor lowpass at 2.2kHz. The second stage is a programmable gain stage to adapt the LEVEL signal internally to different IF device (see Testmode section 5 LEVELINTERN).

The gain is widely programmable in 16 steps from 0dB to 10dB (step = 0.67dB). These 4 bits are located together with the roll off bits in the "Stereo decoder adjustment" byte to simplify a possible adaptation during the production of the car radio.

5.2.8 Stereoblend control

The stereoblend control block converts the internal LEVEL voltage (LEVEL INTERN) into an demodulator compatible analog signal which is used to control the channel separation between 0dB and the maximum separation. Internally this control range has a fixed upper limit which is the internal reference voltage REF5V. The lower limit can be programmed between 29.2% and 58%, of REF5V in 4.167% steps (see [Figure 21](#)).

To adjust the external LEVEL voltage to the internal range two values must be defined: the LEVEL gain LG and VSBL (see [Figure 21](#)). To adjust the voltage where the full channel separation is reached (VST) the LEVEL gain LG has to be defined. The following equation can be used to estimate the gain:

$$L_G = \frac{\text{REF5V}}{\text{Field strenght voltage [STEREO]}}$$

The gain can be programmed through 4 bits in the "Stereo Decoder Adjustment" byte.

The MONO voltage VMO (0dB channel separation) can be chosen selecting VSBLAll necessary internal reference voltages like REF5V are derived from a bandgap circuit. Therefore they have a temperature coefficient near zero. This is useful if the fieldstrength signal is also temperature compensated.

But most IF devices apply a LEVEL voltage with a TC of 3300ppm. The TDA7407 offers this TC for the reference voltages, too. The TC is selectable with bit D7 of the "stereo decoder adjustment" byte.

5.2.9 Highcut control

The highcut control setup is similar to the stereoblend control setup: the starting point VHCH can be set with 2 bits to be 42, 50, 58 or 66% of REF5V whereas the range can be set to be 17, 22, 28 or 33% of VHCH ([Figure 22](#)).

5.2.10 Functional description of the noiseblanker

In the automotive environment the MPX signal is disturbed by spikes produced by the ignition, for example; the wiper motor. The aim of the noiseblanker part is to cancel the audible influence of the spikes.

Therefore the output of the stereo decoder is held at the actual voltage for a time between 22 and 38μs (programmable).

The block diagram of the noiseblanker is given in [Figure 23](#).

In the first stage the spikes must be detected but to avoid wrong triggering on high frequency (white) noise, a complex trigger control is implemented. Behind the trigger stage a pulse former generates the "blanking" pulse. To avoid any crosstalk to the signal path the noiseblanker is supplied by his own biasing circuit.

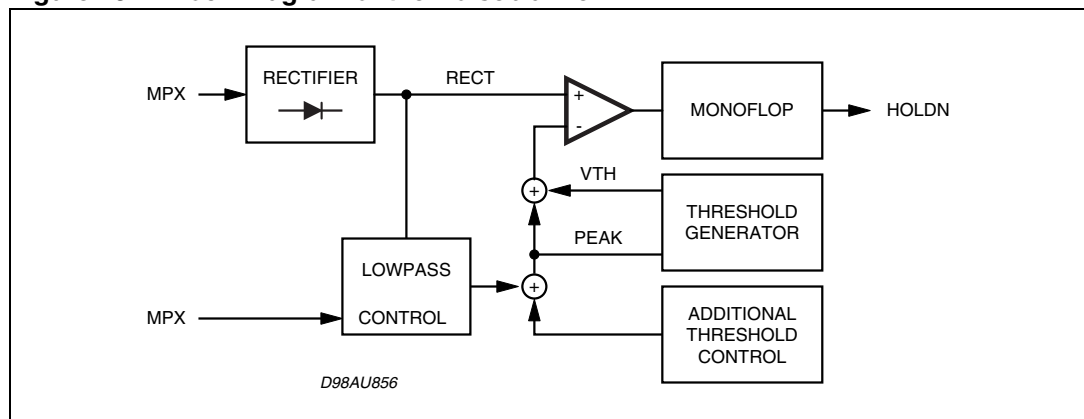
5.2.11 Trigger path

The incoming MPX signal is highpass filtered, amplified and rectified. This second order highpass filter has a corner frequency of 140kHz.

The rectified signal, RECT, is lowpass filtered to generate a signal called PEAK. Also noise with a frequency 140kHz increases the PEAK voltage. The resulting voltage can be adjusted by use of the noise rectifier discharge current.

The PEAK voltage is fed to a threshold generator, which adds to the PEAK voltage a DC dependent threshold VTH. Both signals, RECT and PEAK+VTH are fed to a comparator which triggers a re-triggerable monoflop. The monoflop's output activates the sample and hold circuits in the signal path for selected duration.

Figure 23. Block Diagram of the Noiseblanker



5.2.12 Automatic noise controlled threshold adjustment (ATC)

There are mainly two independent possibilities for programming the trigger threshold:

- a) the low threshold in 8 steps (bits D0 to D2 of the noiseblanker byte)
- b) the noise adjusted threshold in 4 steps (bits D3 and D4 of the noiseblanker byte, see [Figure 23](#)).

The low threshold is active in combination with a good MPX signal without any noise; the PEAK voltage is less than 1V. The sensitivity in this operation is high.

If the MPX signal is noisy the PEAK voltage increases due to the higher noise, which is also rectified. With increasing of the PEAK voltage the trigger threshold increases, too. This particular gain is programmable in 4 steps.

5.3 Automatic threshold control mechanism

5.3.1 Automatic threshold control by the stereoblend voltage

Besides the noise controlled threshold adjustment there is an additional possibility for influencing the trigger threshold. It is depending on the stereoblend control.

The point where the MPX signal starts to become noisy is fixed by the RF part. Therefore also the starting point of the normal noise-controlled trigger adjustment is fixed. In some cases the behaviour of the noiseblanker can be improved by increasing the threshold even in a region of higher fieldstrength.

Sometimes a wrong triggering occurs for the MPX signal often shows distortion in this range which can be avoided even if using a low threshold. Because of the overlap of this range and the range of the stereo/mono transition it can be controlled by stereoblend.

This threshold increase is programmable in 3 steps or switched off with bits D0 and D1 of the fieldstrength control byte.

5.3.2 Over deviation detector

If the system is tuned to stations with a high deviation the noiseblanker can trigger on the higher frequencies of the modulation. To avoid this wrong behaviour, which causes noise in the output signal, the noiseblanker offers a deviation dependent threshold adjustment.

By rectifying the MPX signal a further signal representing the actual deviation is obtained. It is used to increase the PEAK voltage. Offset and gain of this circuit are programmable in 3 steps with the bits D6 and D7 of the stereo decoder byte (the first step turns off the detector, see fig. 18).

5.4 Functional description of the multipath detector

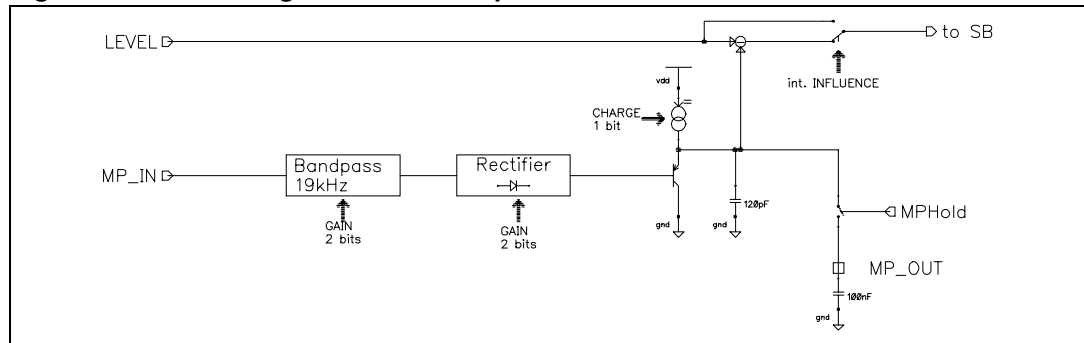
Using the internal multipath detector the audible effects of a multipath condition can be minimized. A multipath condition is detected by rectifying the 19kHz spectrum in the fieldstrength signal. An external capacitor is used to define the attack and decay times (see block diagram [Figure 24](#)). the MPOUT pin is used as detector output connected to a capacitor of about 47nF and additionally the MPIN pin is selected to be the fieldstrength input.

Using the configuration, an external user requirement adaptation is given in [Figure 24](#).

To keep the old value of the Multipath Detector during an AF-jump, the external capacitor can be disconnected by the MP Hold switch. This switch can be controlled directly by the AFS Pin.

Selecting the "internal influence" in the configuration byte, the channel separation is automatically reduced during a multipath condition according to the voltage appearing at the MP_OUT pin. A possible application is shown in [Figure 24](#).

Figure 24. Block diagram of the multipath detector



5.4.1 Programming

To obtain a good multipath performance an adaptation is necessary. Therefore the gain of the 19kHz bandpass is programmable in four steps as well as the rectifier gain. The attack and decay times can be set by the external capacitor value.

5.4.2 Quality detector

The TDA7407 offers a quality detector output which gives a voltage representing the FM reception conditions. To calculate this voltage the MPX noise and the multipath detector output are summed according to the following formula:

$$\text{Quality} = 1.6 (V_{\text{noise}} - 0.8V) + a (REF5V - V_{\text{MPOUT}})$$

The noise signal is the PEAK signal without additional influences. The factor "a" can be programmed from 0.7 to 1.15. the output is a low impedance output able to drive external circuitry as well as simply fed to an A/D converter for RDS applications.

5.4.3 AF Search Control

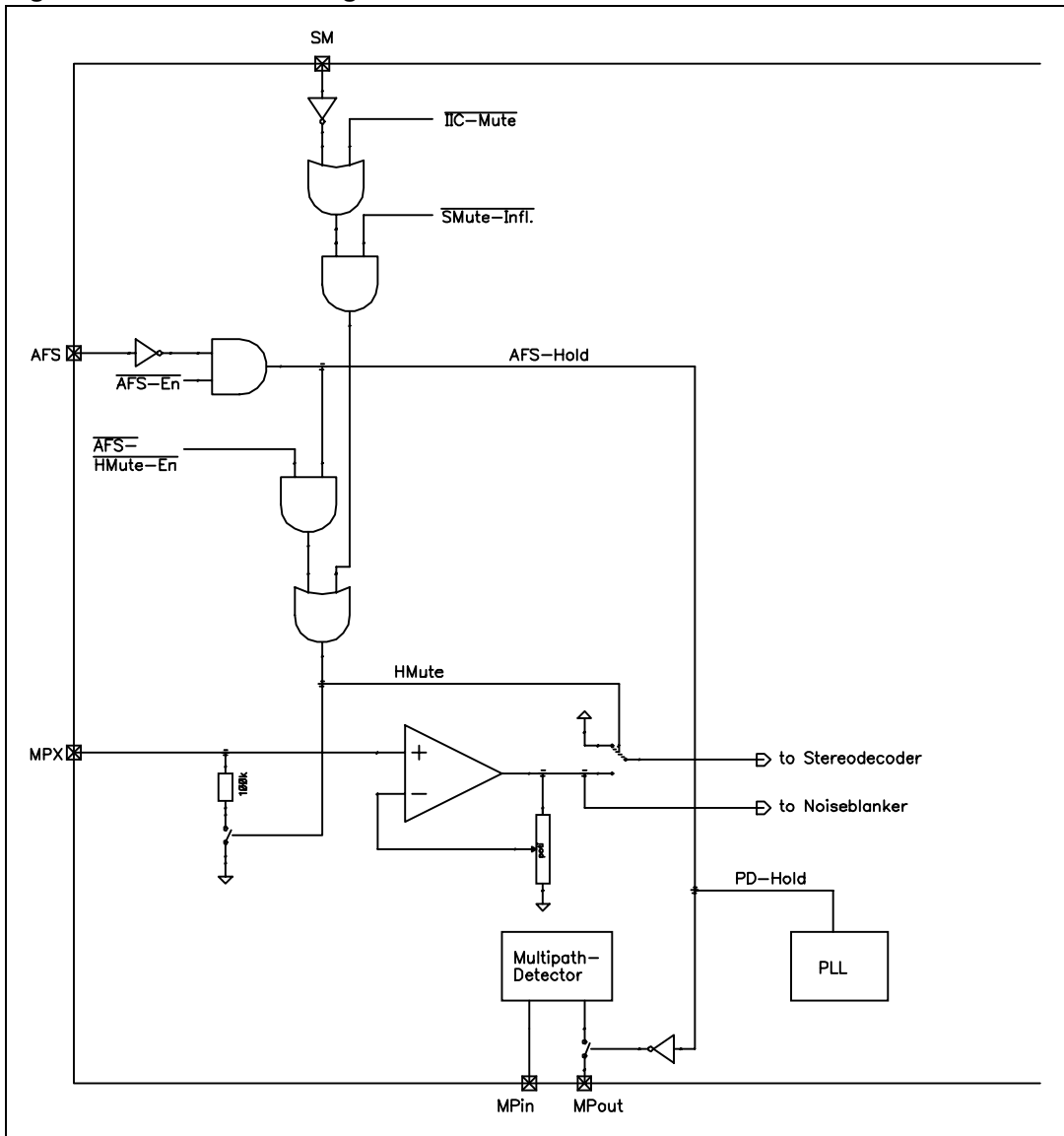
The TDA7407 is supplied with several functionality to support AF checks using the stereo decoder. As mentioned already before the high ohmic mute feature avoids any clicks during the jump condition. It is possible at the same time, to evaluate the noise and multipath content of the alternate frequency, by using the quality detector output. Therefore the multipath detector is switched automatically to a small time constant. No additional pin (AFS) is implemented in order to separate the audioprocessor mute and stereo decoder AF functions. In [Figure 25](#) the block diagram and control functions of the complete AFS functionality is shown (please note that the pins AFS and SM are active low as well as all control bits indicated by an overbar).

5.5 Test mode

During the test mode, which can be activated by setting bit D0 of the testing byte and bit D5 of the subaddress byte to "1", several internal signals are available at the CASSR pin.

During this mode the input resistor of 100kOhm is disconnected from the pin. The internal signals available are shown in the software specification.

Figure 25. Mute control logic



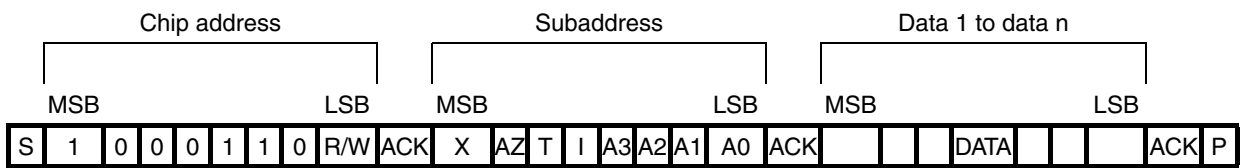
6 I²C Bus interface description

6.1 Interface protocol

The interface protocol comprises:

- a start condition (S)
- a chip address byte (the LSB bit determines read / write transmission)
- a subaddress byte
- a sequence of data (N-bytes + acknowledge)
- a stop condition (P)

Table 10. Addresses



D97AU627

S = Start

ACK = Acknowledge

AZ = AutoZero Remain

T = Testing

I = Auto increment

P = Stop

Max clock speed 500kbits/s

The transmitted data is automatically updated after each ACK. Transmission can be repeated without new chip address.

6.2 Auto increment

If bit I in the subaddress byte is set to "1", the autoincrement of the subaddress is enabled.

Table 11. Transmitted data (send mode)

MSB				LSB			
X	X	X	X	ST	SM	X	X

SM = Soft mute activated

ST = Stereo

X = Not Used

Table 12. Subaddress (receive mode)

MSB				LSB				Function
I3	I2	I1	I0	A3	A2	A1	A0	
	0 1							AutoZero Remain off on
		0 1						Testmode off on
			0 1					Auto Increment Mode off on
0				0	0	0	0	Input Multiplexer
0				0	0	0	1	Volume
0				0	0	1	0	Treble
0				0	0	1	1	Bass
0				0	1	0	0	Speaker attenuator LF
0				0	1	0	1	Speaker attenuator RF
0				0	1	1	0	Speaker attenuator LR
0				0	1	1	1	Speaker attenuator RR
0				1	0	0	0	Soft Mute / Bass Prog.
0				1	0	0	1	Stereo Decoder
0				1	0	1	0	Noiseblanker
0				1	0	1	1	High Cut Control
0				1	1	0	0	Fieldstrength & Quality
0				1	1	0	1	Configuration
0				1	1	1	0	EEPROM
0				1	1	1	1	Testing
1				0	0	0	0	New Quality/Control
1				0	0	0	1	Middle Filter

7 Data byte specification

After power on reset all register are set to 11111110

Table 13. Input selector (subaddress 0H)

MSB				LSB				Function
D7	D6	D5	D4	D3	D2	D1	D0	
					0	0	0	Source selector
					0	0	1	CD
					0	1	0	Cassette
					0	1	1	Phone
					1	0	0	AM
					1	0	1	Stereo Decoder
					1	1	0	AC Inputs Front
					1	1	1	Mute
					1	1	1	AC inputs Rear
	0	0	0	0				In-Gain
	0	0	0	1				15dB
	:	:	:	:				14dB
	1	1	1	0				:
	1	1	1	1				1 dB
								0 dB
0								Coupl. front speaker
1								external
								internal

Table 14. Volume and speaker attenuation (subaddress 1H, 4H, 5H, 6H, 7H)

MSB				LSB				Function
D7	D6	D5	D4	D3	D2	D1	D0	
1	0	0	1	1	1	1	1	not used configurations
:	:	:	:	:	:	:	:	
1	0	0	1	0	0	0	1	
1	0	0	1	0	0	0	0	
1	0	0	0	1	1	1	1	+15dB
:	:	:	:	:	:	:	:	:
1	0	0	0	0	0	0	1	+1dB
0	0	0	0	0	0	0	0	0dB
0	0	0	0	0	0	0	0	0dB
0	0	0	0	0	0	0	1	-1dB
:	:	:	:	:	:	:	:	:
0	0	0	0	1	1	1	1	-15dB
0	0	0	1	0	0	0	0	-16dB
:	:	:	:	:	:	:	:	:
0	1	0	0	1	1	1	0	-78dB
0	1	0	0	1	1	1	1	-79dB
X	1	1	X	X	X	X	X	Mute

Table 15. Treble filter (subaddress 2H)

MSB							LSB	Function
D7	D6	D5	D4	D3	D2	D1	D0	
			0	0	0	0	0	Treble steps -15dB
			0	0	0	0	1	-14dB
			:	:	:	:	:	:
			0	1	1	1	0	-1dB
			0	1	1	1	1	0dB
			1	1	1	1	1	0dB
			1	1	1	1	0	+1dB
			:	:	:	:	:	:
			1	0	0	0	1	+14dB
			1	0	0	0	0	+15dB
	0	0						Treble center frequency 10.0KHz
	0	1						12.5KHz
	1	0						15.0KHz
	1	1						17.5KHz
0								Coupl. rear speaker external (AC)
1								internal

Table 16. Bass filter (subaddress 3H)

MSB							LSB	Function
D7	D6	D5	D4	D3	D2	D1	D0	
			0	0	0	0	0	Bass Steps -15dB
			0	0	0	0	1	-14dB
			:	:	:	:	:	:
			0	1	1	1	0	-1dB
			0	1	1	1	1	0dB
			1	1	1	1	1	0dB
			1	1	1	1	0	+1dB
			:	:	:	:	:	:
			1	0	0	0	1	+14dB
			1	0	0	0	0	+15dB
	0	0						Bass Q factor 1.0
	0	1						1.25
	1	0						1.50
	1	1						2.0
0								Bass DC mode off
1								on

Table 17. Soft mute and bass programming (subaddress 8H)

MSB							LSB	Function
D7	D6	D5	D4	D3	D2	D1	D0	
								Mute Enable Soft Mute Disable Soft Mute Mutetime = 0.48ms Mutetime = 0.96ms Mutetime = 40.4ms Mutetime = 324ms Stereo decoder Soft Mute Influence = on Stereo decoder Soft Mute Influence = off
		0 0 1 1 1	0 1 0 1 1					Bass center frequency Center Frequency = 60 Hz Center Frequency = 70 Hz Center Frequency = 80 Hz Center Frequency = 100Hz Center Frequency = 150Hz
0 0 1 1	0 1 0 1							Noise blanker time 38ms 25.5ms 32ms 22ms

1 Only for Bass Q-Factor = 2.0

Table 18. Stereo decoder (subaddress 9H)

MSB							LSB	Function
D7	D6	D5	D4	D3	D2	D1	D0	
							0 1	STD Unmuted STD Muted
					0 0 1 1	0 1 0 1		In Gain 11dB In Gain 8.5dB In Gain 6dB In Gain 3.5dB
				0 1				Stereo decoder = on Stereo decoder = off
			0 1					Forced Mono Mono/Stereo switch automatically
		0 1						Noiseblanker PEAK charge current low Noiseblanker PEAK charge current high
	0 1							Pilot Threshold HIGH Pilot Threshold LOW
0 1								De-emphasis 50µs De-emphasis 75µs

Table 19. Noiseblanker (subaddress AH)

MSB							LSB	Function
D7	D6	D5	D4	D3	D2	D1	D0	
					0	0	0	Low Threshold 65mV
					0	0	1	Low Threshold 60mV
					0	1	0	Low Threshold 55mV
					0	1	1	Low Threshold 50mV
					1	0	0	Low Threshold 45mV
					1	0	1	Low Threshold 40mV
					1	1	0	Low Threshold 35mV
					1	1	1	Low Threshold 30mV
			0	0				Noise Controlled Threshold 320mV
			0	1				Noise Controlled Threshold 260mV
			1	0				Noise Controlled Threshold 200mV
			1	1				Noise Controlled Threshold 140mV
		0						Noise blanker OFF
		1						Noise blanker ON
0	0							Over deviation Adjust 2.8V
0	1							Over deviation Adjust 2.0V
1	0							Over deviation Adjust 1.2V
1	1							Over deviation Detector OFF

Table 20. High Cut (subaddress BH)

MSB							LSB	Function
D7	D6	D5	D4	D3	D2	D1	D0	
							0	High Cut OFF
							1	High Cut ON
					0	0		Max. High Cut 2dB
					0	1		Max. High Cut 5dB
					1	0		Max. High Cut 7dB
					1	1		Max. High Cut 10dB
			0	0				VHCH at 42% REF 5V
			0	1				VHCH at 50% REF 5V
			1	0				VHCH at 58% REF 5V
			1	1				VHCH at 66% REF 5V
	0	0						VHCL at 16.7% VHCH
	0	1						VHCL at 22.2% VHCH
	1	0						VHCL at 27.8% VHCH
	1	1						VHCL at 33.3% VHCH
0								Strong Multipath influence on PEAK 18K OFF
1								ON (18K Discharge if VMPOUT <2.5V)

Table 21. Field strength Control (subaddress CH)

MSB				LSB				Function
D7	D6	D5	D4	D3	D2	D1	D0	
					0	0	0	VSBL at 29% REF 5V
					0	0	1	VSBL at 33% REF 5V
					0	1	0	VSBL at 38% REF 5V
					0	1	1	VSBL at 42% REF 5V
					1	0	0	VSBL at 46% REF 5V
					1	0	1	VSBL at 50% REF 5V
					1	1	0	VSBL at 54% REF 5V
					1	1	1	VSBL at 58% REF 5V
			0	0				Noiseblanker Field strength Adj 2.3V
			0	1				Noiseblanker Field strength Adj 1.8V
			1	0				Noiseblanker Field strength Adj 1.3V
			1	1				Noiseblanker Field strength Adj OFF
	0	0						Quality Detector Coefficient a = 0.7
	0	1						Quality Detector Coefficient a = 0.85
	1	0						Quality Detector Coefficient a = 1.0
	1	1						Quality Detector Coefficient a = 1.15
0								Multipath off influence on PEAK discharge
1								-1V/ms (at MPout = 2.5V)

Table 22. Configuration (subaddress DH)

MSB				LSB				Function
D7	D6	D5	D4	D3	D2	D1	D0	
						0	0	Noise Rectifier Discharge Resistor
						0	1	R = infinite
						1	0	R = 56kΩ
						1	1	R = 33kΩ
								R = 18kΩ
				0	0			Multipath Detector Bandpass Gain
				1	0			6dB
				0	1			12dB
				1	1			16dB
								18dB
			0					Multipath Detector internal influence
			1					ON
								OFF
		0						Multipath Detector Charge Current 0.5μA
		1						Multipath Detector Charge Current 1μA
0	0							Multipath Detector Reflection Gain
0	1							Gain = 7.6dB
1	0							Gain = 4.6dB
1	1							Gain = 0dB
								disabled

Table 23. Stereo decoder adjustment (subaddress EH)

MSB							LSB	Function
D7	D6	D5	D4	D3	D2	D1	D0	
								Roll Off Compensation
0					0	0	0	not allowed
0					0	0	1	7.2%
0					0	1	0	9.4%
:					:	:	:	:
0					1	0	0	13.7%
:					:	:	:	:
0					1	1	1	20.2%
1					0	0	0	not allowed
1					0	0	1	19.6%
1					0	1	0	21.5%
:					:	:	:	:
1					1	0	0	25.3%
:					:	:	:	:
1					1	1	1	31.0%
								Level Gain
	0	0	0	0				0dB
	0	0	0	1				0.66dB
	0	0	1	0				1.33dB
	:	:	:	:				:
	1	1	1	1				10dB

Table 24. Testing (subaddress FH)

MSB							LSB	Function
D7	D6	D5	D4	D3	D2	D1	D0	
								Stereo decoder test signals
							0	OFF
							1	Test signals enabled if bit D5 of the subaddress (test mode bit) is set to "1", too
						0		External Clock
						1		Internal Clock

Table 24. Testing (subaddress FH) (continued)

MSB						LSB		Function
		0	0	0	0			Testsignals at CASS_R
		0	0	0	1			VHCCH
		0	0	1	0			Level intern
		0	0	1	1			Pilot magnitude
		0	1	0	0			VCOCON; VCO Control Voltage
		0	1	0	1			Pilot threshold
		0	1	1	0			HOLDN
		0	1	1	1			NB threshold
		0	1	1	1			F228
		1	0	0	0			VHCCL
		1	0	0	1			VSBL
		1	0	1	0			not used
		1	0	1	1			not used
		1	1	0	0			PEAK
		1	1	0	1			not used
		1	1	1	0			REF5V
		1	1	1	1			not used
	0							VCO
	1							OFF
								ON
0								Audioprocessor test mode
1								enabled if bit D5 of the subaddress(test mode bit) is set to "1"
								OFF

Note: This byte is used for testing or evaluation purposes only and must not be set to other values than the default "11111110" in the application!

Table 25. New quality / control (subaddress 10H)

MSB						LSB		Function
D7	D6	D5	D4	D3	D2	D1	D0	
							0	Reference generation
							1	Internal Reference-Divider
								External Reference Force
					0	0		Quality Noise Gain
					0	1		15dB
					1	0		12dB
					1	1		9dB
								6dB
				0				SC Clock Mode
				1				Fast Mode
								Normal Mode

Table 25. New quality / control (subaddress 10H) (continued)

MSB							LSB	Function
			0 1					Auto Zero Off On
		0 1						Smoothing Filter On Off
	0 1							Enable AF Pin Enable Pin Disable Pin
0 1								AF Pin ST Decoder Mute Influence On Off

Table 26. Mid filter (subaddress 11H)

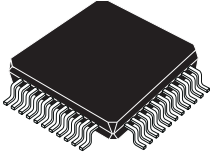
MSB							LSB	Function
D7	D6	D5	D4	D3	D2	D1	D0	
			0 0 : 0 0 1 1 : 1 1	0 0 : 1 1 1 1 : 0 0	0 1 : 1 1 1 1 : 0 0	0 1 : 1 1 1 1 : 0 0	0 1 : 0 1 0 0	Attenuation -15dB -14dB : -1dB 0dB 0dB +1dB : +14dB +15dB
	0 0 1 1	0 1 0 1						Middle Center frequency 500Hz 1.0kHz 1.5kHz 2.0kHz
01								Mid Q Factor 1.02.0

8 Package information

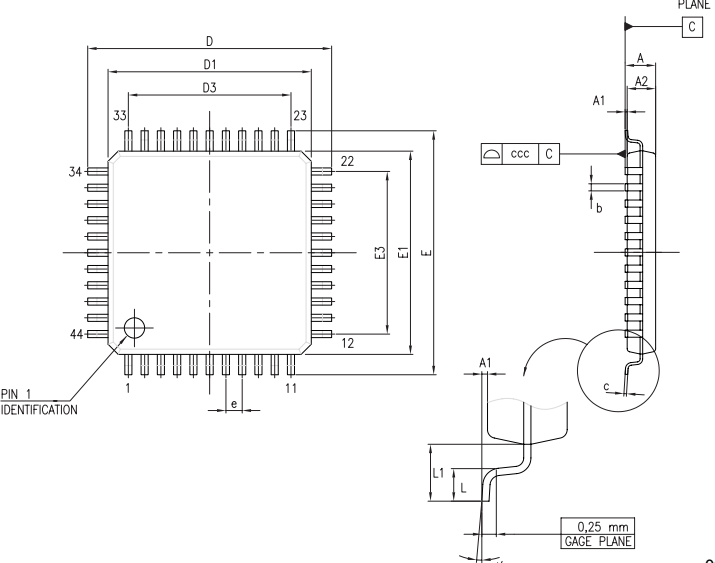
In order to meet environmental requirements, ST offers these devices in ECOPACK® packages. These packages have a lead-free second level interconnect. The category of second level interconnect is marked on the package and on the inner box label, in compliance with JEDEC standard JESD97. The maximum ratings related to soldering conditions are also marked on the inner box label. ECOPACK is an ST trademark. ECOPACK specifications are available at: www.st.com.

DIM.	mm			inch		
	MIN.	TYP.	MAX.	MIN.	TYP.	MAX.
A			1.60			0.063
A1	0.05		0.15	0.002		0.006
A2	1.35	1.40	1.45	0.053	0.055	0.057
B	0.30	0.37	0.45	0.012	0.015	0.018
C	0.09		0.20	0.004		0.008
D	11.80	12.00	12.20	0.464	0.472	0.480
D1	9.80	10.00	10.20	0.386	0.394	0.401
D3		8.00			0.315	
E	11.80	12.00	12.20	0.464	0.472	0.480
E1	9.80	10.00	10.20	0.386	0.394	0.401
E3		8.00			0.315	
e		0.80			0.031	
L	0.45	0.60	0.75	0.018	0.024	0.030
L1		1.00			0.039	
k	0' (min.), 3.5' (typ.), 7' (max.)					
ccc			0.10			0.0039

OUTLINE AND MECHANICAL DATA



LQFP44 (10 x 10 x 1.4mm)



0076922 E

9 Revision history

Table 27. Document revision history

Date	Revision	Changes
04-Oct-2004	1	Initial release.
01-Apr-2005	2	Style sheet changed to comply with corporate guidelines.
22-Jan-06	3	Package change, layout changes, text modifications.

Please Read Carefully:

Information in this document is provided solely in connection with ST products. STMicroelectronics NV and its subsidiaries ("ST") reserve the right to make changes, corrections, modifications or improvements, to this document, and the products and services described herein at any time, without notice.

All ST products are sold pursuant to ST's terms and conditions of sale.

Purchasers are solely responsible for the choice, selection and use of the ST products and services described herein, and ST assumes no liability whatsoever relating to the choice, selection or use of the ST products and services described herein.

No license, express or implied, by estoppel or otherwise, to any intellectual property rights is granted under this document. If any part of this document refers to any third party products or services it shall not be deemed a license grant by ST for the use of such third party products or services, or any intellectual property contained therein or considered as a warranty covering the use in any manner whatsoever of such third party products or services or any intellectual property contained therein.

UNLESS OTHERWISE SET FORTH IN ST'S TERMS AND CONDITIONS OF SALE ST DISCLAIMS ANY EXPRESS OR IMPLIED WARRANTY WITH RESPECT TO THE USE AND/OR SALE OF ST PRODUCTS INCLUDING WITHOUT LIMITATION IMPLIED WARRANTIES OF MERCHANTABILITY, FITNESS FOR A PARTICULAR PURPOSE (AND THEIR EQUIVALENTS UNDER THE LAWS OF ANY JURISDICTION), OR INFRINGEMENT OF ANY PATENT, COPYRIGHT OR OTHER INTELLECTUAL PROPERTY RIGHT.

UNLESS EXPRESSLY APPROVED IN WRITING BY AN AUTHORIZED ST REPRESENTATIVE, ST PRODUCTS ARE NOT RECOMMENDED, AUTHORIZED OR WARRANTED FOR USE IN MILITARY, AIR CRAFT, SPACE, LIFE SAVING, OR LIFE SUSTAINING APPLICATIONS, NOR IN PRODUCTS OR SYSTEMS WHERE FAILURE OR MALFUNCTION MAY RESULT IN PERSONAL INJURY, DEATH, OR SEVERE PROPERTY OR ENVIRONMENTAL DAMAGE. ST PRODUCTS WHICH ARE NOT SPECIFIED AS "AUTOMOTIVE GRADE" MAY ONLY BE USED IN AUTOMOTIVE APPLICATIONS AT USER'S OWN RISK.

Resale of ST products with provisions different from the statements and/or technical features set forth in this document shall immediately void any warranty granted by ST for the ST product or service described herein and shall not create or extend in any manner whatsoever, any liability of ST.

ST and the ST logo are trademarks or registered trademarks of ST in various countries.

Information in this document supersedes and replaces all information previously supplied.

The ST logo is a registered trademark of STMicroelectronics. All other names are the property of their respective owners.

© 2007 STMicroelectronics - All rights reserved

STMicroelectronics group of companies

Australia - Belgium - Brazil - Canada - China - Czech Republic - Finland - France - Germany - Hong Kong - India - Israel - Italy - Japan - Malaysia - Malta - Morocco - Singapore - Spain - Sweden - Switzerland - United Kingdom - United States of America

www.st.com